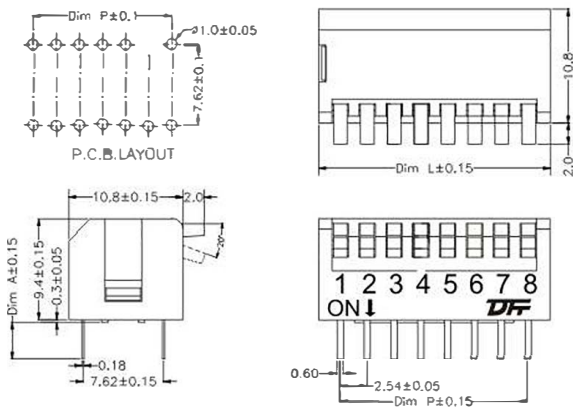
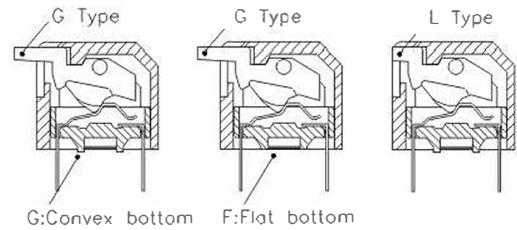
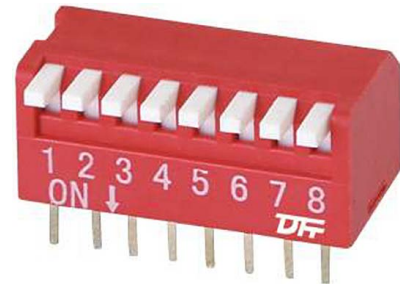
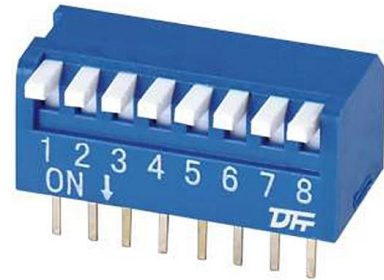
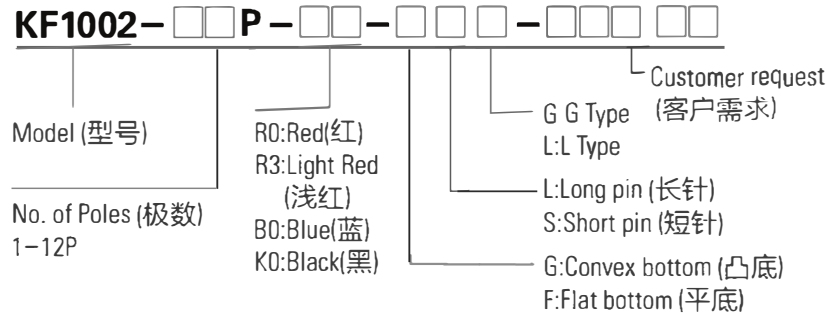


KF1002

How to order



Poles	1P	2P	3P	4P	5P	6P	7P	8P	9P	10P	12P
Dim.P (mm)	—	2.54	5.08	7.62	10.16	12.70	15.24	17.78	20.32	20.86	27.94
Dim.L (mm)	4.09	6.63	9.17	11.71	14.25	16.79	19.33	21.87	24.41	26.95	31.03

Dim.A	S.Short pin	L:Long pin
G:Convex Bottom	2.7mm	3.5mm
F:Flat Bottom	3.0mm	3.8mm

MATERIAL

Base: UL94V-0 PBT Thermoplastic, black
Cover: UL94V-0 PBT Thermoplastic, red, blue, black
Button: UL94V-0 PA66 White
Terminal: Phosphor Bronze, Gold plating

ELECTRICAL

Electrical life: 2000 operations per switch 24VDC, 25mA
Non-switching rating: 100mA, 50VDC
Switching rating: 25mA, 24VDC
The contact impedance: A Initial value of the maximum 50mΩ, B testing after the maximum 100mΩ
Insulation resistance: (At 500VDC) 100MΩ/min
Dielectric strength: 500VAC, 1 min
Capacitance: Max 5pF
The loop. Single contact single selection

MECHANICAL

Operating force: 8N(max)
Stroke: 2.00mm
Operation temp.: -20°C~+70°C
Storage temp.: -40°C~+85°C

THE LOOP SINGLE CONTACT SINGLE SELECTION

For best results, please follow these recommendation: Keep all switch contacts in their "OFF" position for all operations
Wave soldering: Recommended solder temperature at 250±5°C, 3-5 seconds
Hand welding: Use 30 watt iron control temperature at 320°C, the welding time is about 2 seconds
Cleaning: Cleaning process using ultrasonic method, can give better results, use steam mode, temperature should not exceed 51°C

材质

底座: UL94V-0 PBT 工程塑料, 黑色
上盖: UL94V-0 PBT 工程塑料, 红色, 蓝色, 黑色
推钮: UL94V-0 PA66 白色
端子: 磷青铜镀金

电气性能

电气寿命: 在电压24VDC电流25mA之下测试, 可来回拨动2000次
开关不常切换的额定电流: 100mA, 耐压50VDC
开关经常切换的额定电流: 25mA, 耐压24VDC
接触阻抗: a初始值最大50mΩ, b测试后最大值100mΩ
绝缘阻抗: 最小100MΩ, 500VDC
耐压强度: 500VAC/1分钟
极间容量: 最大5pF
回路: 单接点单选择

机械性能

操作力: 8N(最大)
推钮行程: 2.00mm
使用温度: -20°C~+70°C
储存温度: -40°C~+85°C

焊接和清洗过程

在所有操作过程中, 请确保开关在"OFF"位置
波焊: 推荐焊锡温度在250±5°C, 3-5秒钟
手焊: 使用30瓦烙铁控制温度在320°C, 焊接时间大约2秒钟
清洗过程: 清洗使用超声波方式, 能给予更好效果, 使用蒸汽方式时, 温度不可超过51°C